

BASE CONDITIONS

GB0010 - BASE ANGLE TRIM DETAIL

GB0020 - BASE TRIM DETAIL

GB0040 - ALTERNATE BASE TRIM DETAIL

GB0100 - ABOVE FINISH FLOOR BASE TRIM DETAIL

GB0130 - ALTERNATE BASE TRIM DETAIL AT OPEN WALL

GB0140 - DRIP BASE TRIM DETAIL AT OPEN WALL

GB0150 - DRIP BASE TRIM DETAIL AT OPEN WALL - ZEE

GB0155 - DRIP BASE TRIM DETAIL AT OPEN WALL - ZEE NO ANGLE

GB0200 - CONCRETE NOTCH BASE DETAIL

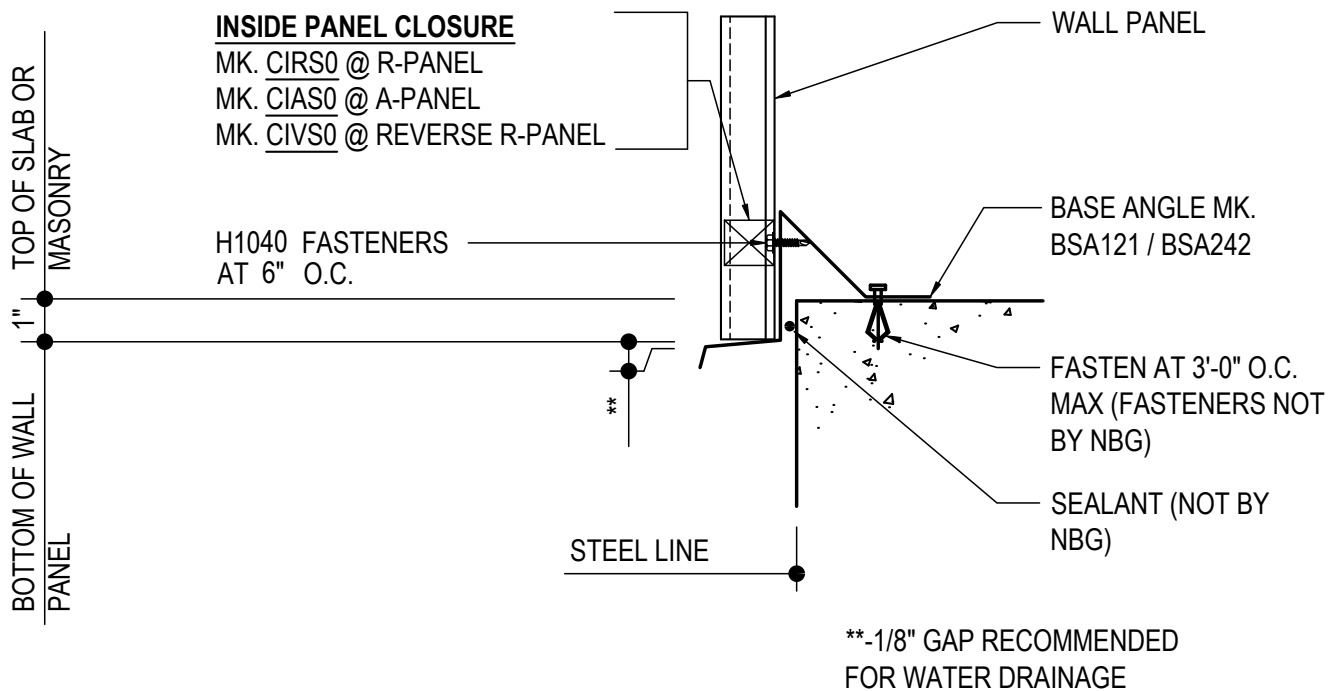
GB0300 - WAINSCOT TRANSITION DETAIL - ZEE

GB0310 - WAINSCOT TRANSITION DETAIL - CHANNEL

GB0010 - BASE ANGLE TRIM DETAIL

[Download the DWG file by clicking here.](#)

* FIELD MITER BASE ANGLE TRIM AT CORNERS *



BASE ANGLE TRIM DETAIL

SEE WALL SHEETING ERECTION NOTES FOR WALL PANEL FASTENER LOCATIONS

GB0010

Detailer Notes:

- 1) IF CLOSURES ARE ORDERED AT WALL PANEL BASE CONDITION, YOU MUST TURN ON THE CLOSURE LAYER.
- 2) SEE NOTES ON DETAIL GB0100 FOR ABOVE FINISHED FLOOR STANDARD.

GB0020 - BASE TRIM DETAIL

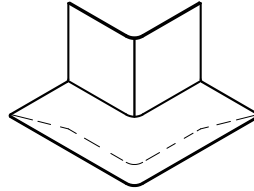
[Download the DWG file by clicking here.](#)

END CLOSURE DETAIL

END CLOSURE MK. H42__
APPLY TUBE CAULK (H3152)
ALL AROUND AND INSERT
INTO END OF BSB121 TRIM AT
CORNERS. ATTACH WITH POP
RIVETS AS REQUIRED.

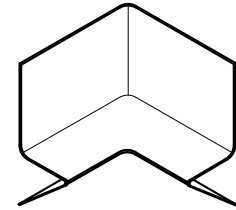
OUTSIDE CORNER TRIM

MK. H4200



INSIDE CORNER TRIM

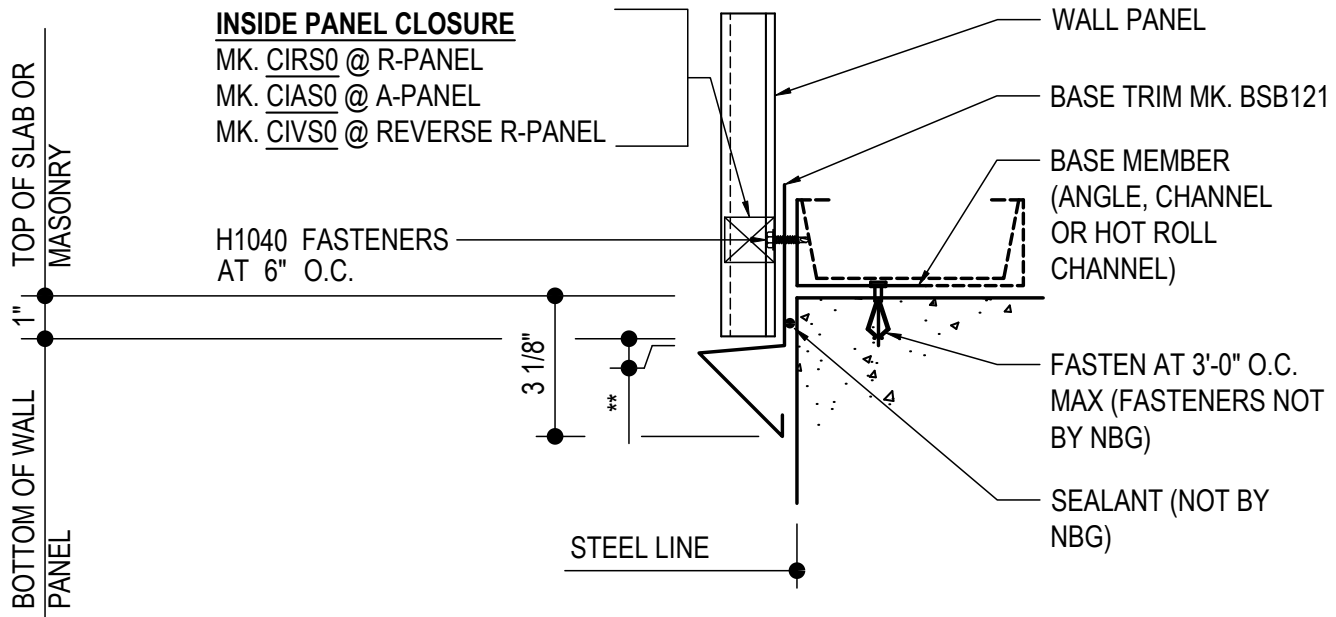
MK. H4210



ERECTOR NOTE:

UNTIL WALL PANELS ARE INSTALLED, (3) H1040 SCREWS ARE TO BE USED FOR TEMPORARY INSTALLATION OF THE BASE TRIM.

INSTALL CORNER CAPS WITH H1100 RIVETS



** - 1/8" GAP RECOMMENDED FOR WATER DRAINAGE

BASE TRIM DETAIL

SEE WALL SHEETING ERECTION DETAIL FOR WALL PANEL FASTENER LOCATIONS

GB0020

Detailer Notes:

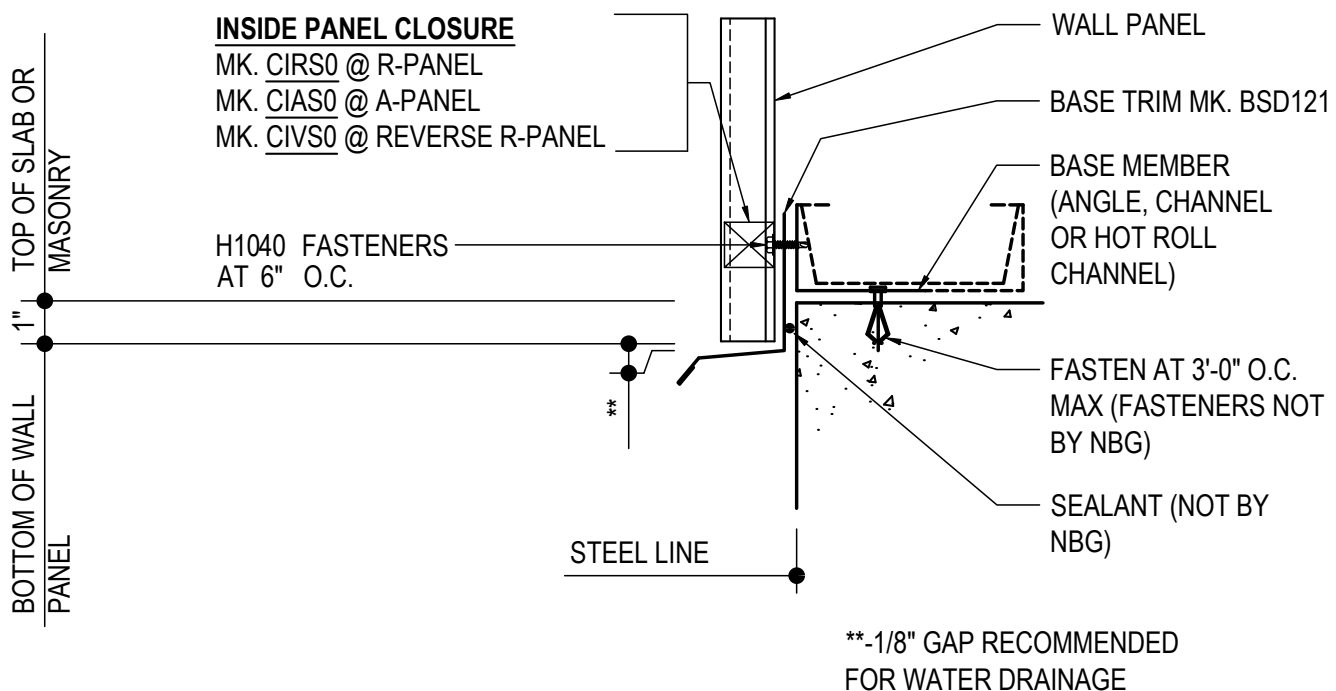
- 1) IF CLOSURES ARE ORDERED AT WALL PANEL BASE CONDITION, YOU MUST TURN ON THE CLOSURE LAYER.
- 2) SEE NOTES ON DETAIL GB0100 FOR ABOVE FINISHED FLOOR STANDARD.

GB0040 - ALTERNATE BASE TRIM DETAIL

[Download the DWG file by clicking here.](#)

ERECTOR NOTE:

UNTIL WALL PANELS ARE INSTALLED, (3) H1040 SCREWS ARE TO BE USED FOR TEMPORARY INSTALLATION OF THE BASE TRIM.
FIELD MITER BASE TRIM AT CORNERS.



ALTERNATE BASE TRIM DETAIL

SEE WALL SHEETING ERECTION DETAIL FOR WALL PANEL FASTENER LOCATIONS

GB0040

Detailer Notes:

- 1) IF CLOSURES ARE ORDERED AT WALL PANEL BASE CONDITION, YOU MUST TURN ON THE CLOSURE LAYER.
- 2) SEE NOTES ON DETAIL GB0100 FOR ABOVE FINISHED FLOOR STANDARD.

GB0100 - ABOVE FINISH FLOOR BASE TRIM DETAIL

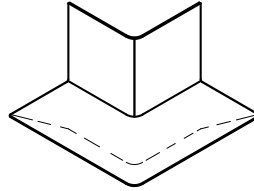
[Download the DWG file by clicking here.](#)

END CLOSURE DETAIL

END CLOSURE MK. H42__
APPLY TUBE CAULK (H3152)
ALL AROUND AND INSERT
INTO END OF BSB121 TRIM AT
CORNERS. ATTACH WITH POP
RIVETS AS REQUIRED.

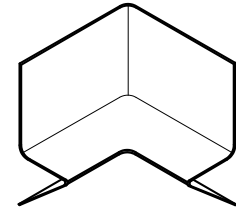
OUTSIDE CORNER TRIM

MK. H4200



INSIDE CORNER TRIM

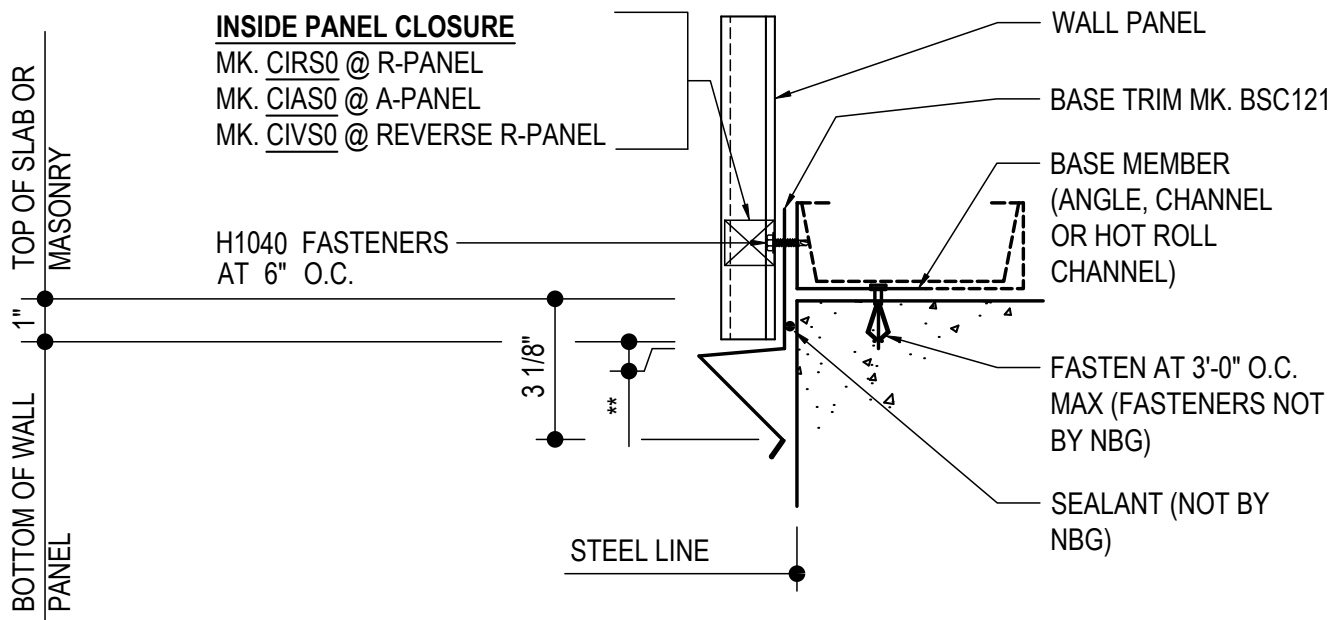
MK. H4210



ERECTOR NOTE:

UNTIL WALL PANELS ARE INSTALLED, (3) H1040 SCREWS ARE TO BE USED FOR TEMPORARY INSTALLATION OF THE BASE TRIM.

INSTALL CORNER CAPS WITH H1100 RIVETS



**-.1/8" GAP RECOMMENDED FOR WATER DRAINAGE

ABOVE FINISH FLOOR BASE TRIM DETAIL

SEE WALL SHEETING ERECTION DETAIL FOR WALL PANEL FASTENER LOCATIONS

GB0100

Detailer Notes:

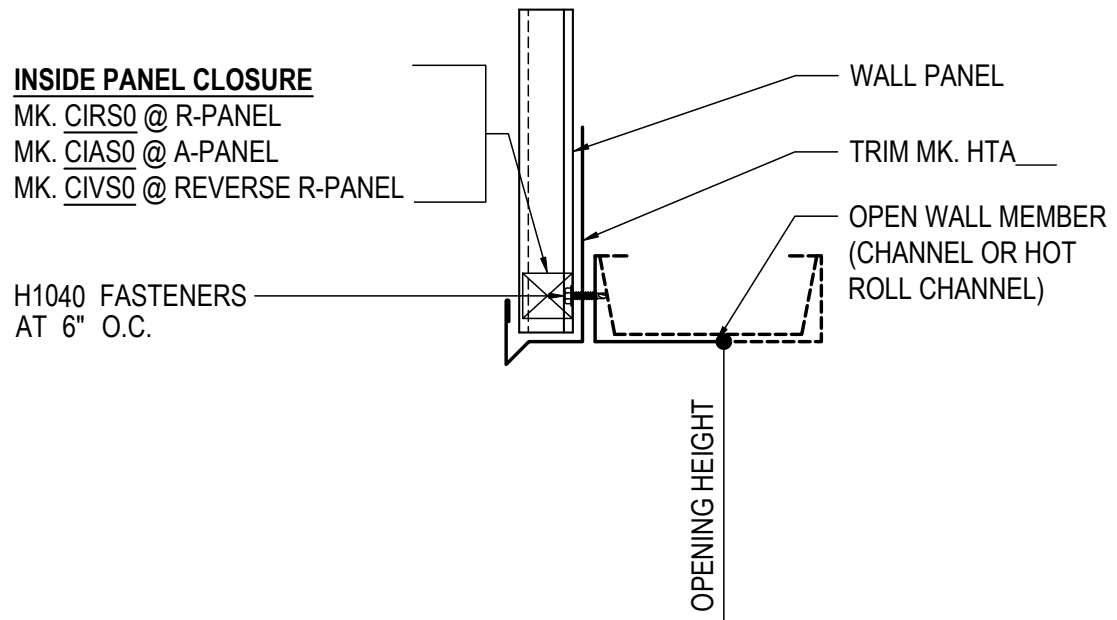
- 1) IF CLOSURES ARE ORDERED AT WALL PANEL BASE CONDITION, YOU MUST TURN ON THE CLOSURE LAYER.
- 2) THIS DETAIL IS STANDARD FOR ABOVE FINISH FLOOR BASE TRIM. THIS TRIM PROFILE REDUCES WATER DRIPPING DOWN THE FACE OF A MASONRY WALL AND LEAVING STAINS.

GB0130 - ALTERNATE BASE TRIM DETAIL AT OPEN WALL

[Download the DWG file by clicking here.](#)

ERECTOR NOTE:

UNTIL WALL PANELS ARE INSTALLED, (3) H1040 SCREWS ARE TO BE USED FOR TEMPORARY INSTALLATION OF THE BASE TRIM.



ALTERNATE BASE TRIM DETAIL AT OPEN WALL

SEE WALL SHEETING ERECTION DETAIL FOR
WALL PANEL FASTENER LOCATIONS

GB0130

Detailer Notes:

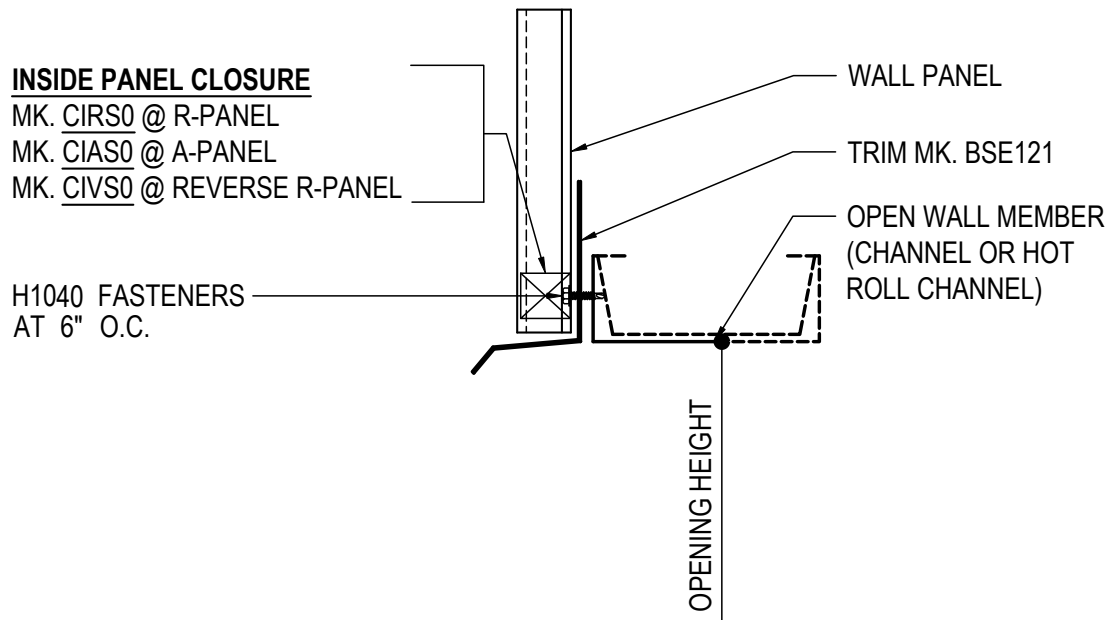
- 1) IF CLOSURES ARE ORDERED AT WALL PANEL BASE CONDITION, YOU MUST TURN ON THE CLOSURE LAYER.
- 2) CLARIFY WITH CUSTOMER IF THEY PREFER A HEAD TRIM OR DRIP TRIM. SEE ALSO DETAIL GB0140

GB0140 - DRIP BASE TRIM DETAIL AT OPEN WALL

[Download the DWG file by clicking here.](#)

ERECTOR NOTE:

UNTIL WALL PANELS ARE INSTALLED, (3) H1040 SCREWS ARE TO BE USED FOR TEMPORARY INSTALLATION OF THE BASE TRIM.
FIELD MITER BASE TRIM AT CORNERS.



DRIP BASE TRIM DETAIL AT OPEN WALL

SEE WALL SHEETING ERECTION DETAIL FOR
WALL PANEL FASTENER LOCATIONS

GB0140

Detailer Notes:

- 1) IF CLOSURES ARE ORDERED AT WALL PANEL BASE CONDITION, YOU MUST TURN ON THE CLOSURE LAYER.
- 2) CLARIFY WITH CUSTOMER IF THEY PREFER A HEAD TRIM OR DRIP TRIM. SEE ALSO DETAIL GB0130

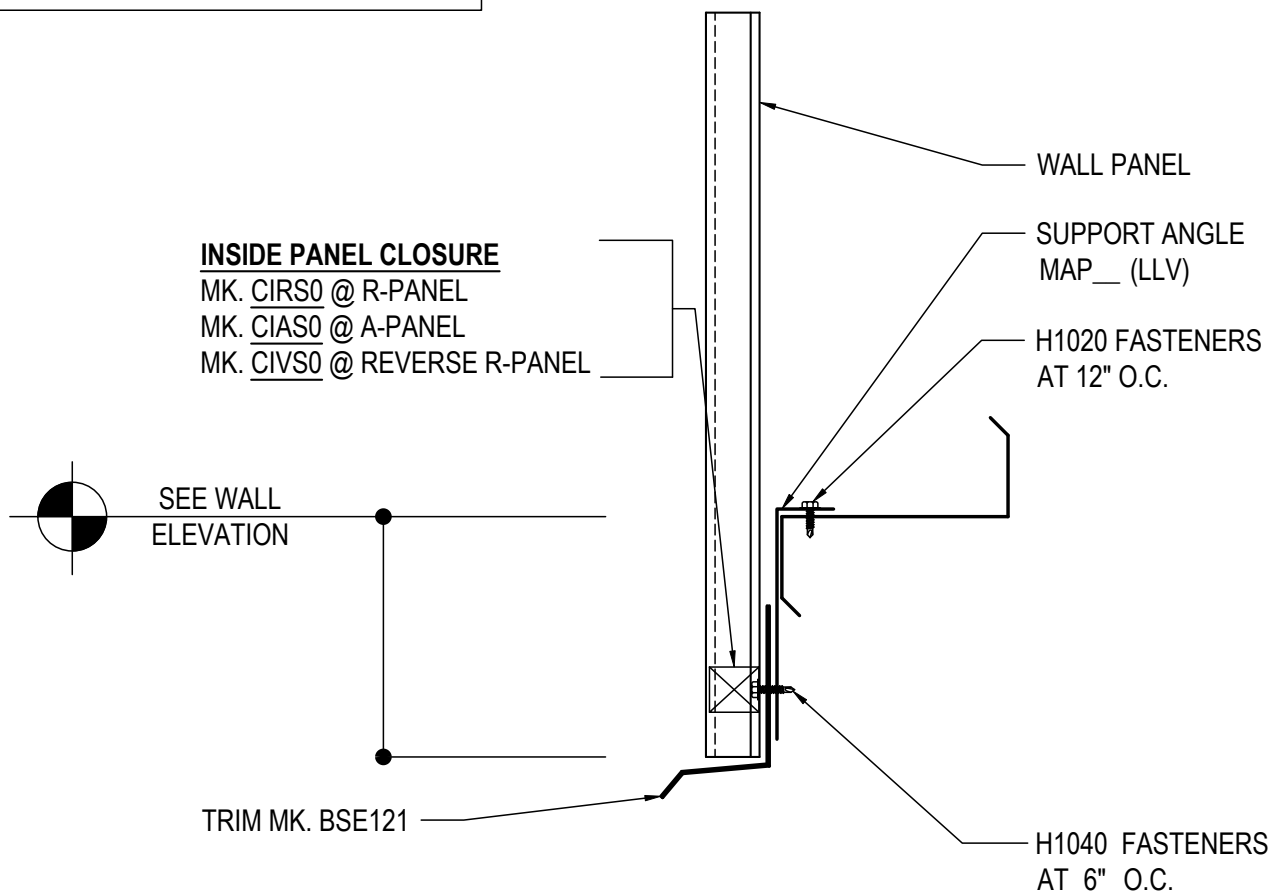
GB0150 - DRIP BASE TRIM DETAIL AT OPEN WALL - ZEE

[Download the DWG file by clicking here.](#)

ERECTOR NOTE:

UNTIL WALL PANELS ARE INSTALLED, (3) H1040 SCREWS ARE TO BE USED FOR TEMPORARY INSTALLATION OF THE BASE TRIM. FIELD MITER BASE TRIM AT CORNERS.

NOTE: IF GIRT BRACING IS PRESENT, SUPPORT ANGLE WILL NEED TO BE NOTCHED AROUND GIRT BRACES.



DRIP BASE TRIM DETAIL AT OPEN WALL

SEE WALL SHEETING ERECTION DETAIL FOR
WALL PANEL FASTENER LOCATIONS

GB0150

Detailer Notes:

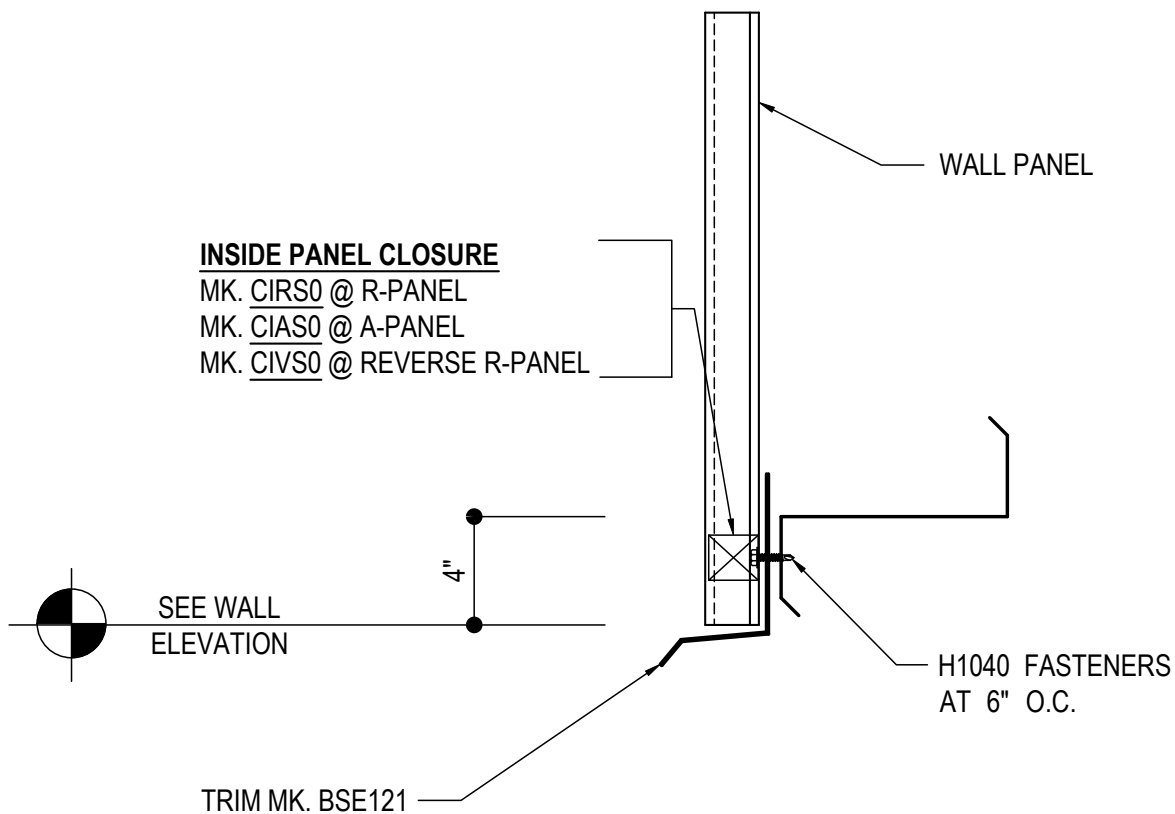
1) IF CLOSURES ARE ORDERED AT WALL PANEL BASE CONDITION, YOU MUST TURN ON THE CLOSURE LAYER.

GB0155 - DRIP BASE TRIM DETAIL AT OPEN WALL - ZEE NO ANGLE

[Download the DWG file by clicking here.](#)

ERECTOR NOTE:

UNTIL WALL PANELS ARE INSTALLED, (3) H1040 SCREWS ARE TO BE USED FOR TEMPORARY INSTALLATION OF THE BASE TRIM.
FIELD MITER BASE TRIM AT CORNERS.



DRIP BASE TRIM DETAIL AT OPEN WALL

SEE WALL SHEETING ERECTION DETAIL FOR
WALL PANEL FASTENER LOCATIONS

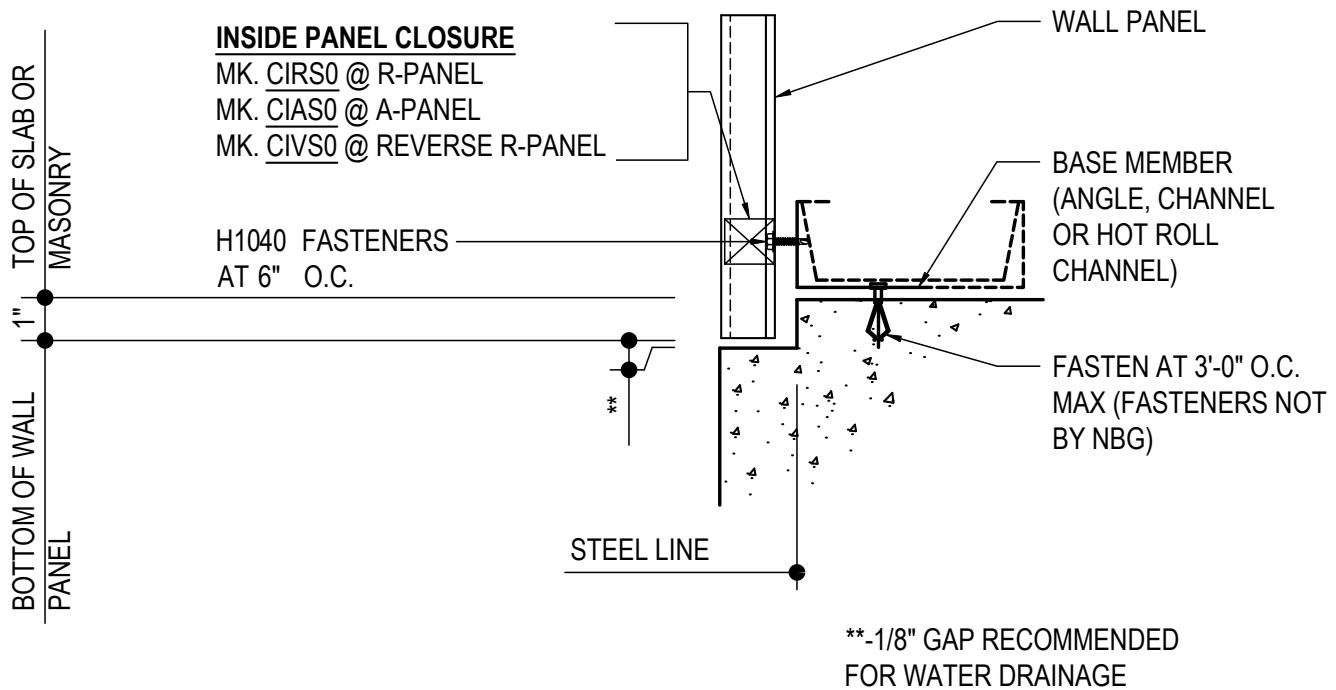
GB0155

Detailer Notes:

1) IF CLOSURES ARE ORDERED AT WALL PANEL BASE CONDITION, YOU MUST TURN ON THE CLOSURE LAYER.

GB0200 - CONCRETE NOTCH BASE DETAIL

[Download the DWG file by clicking here.](#)



CONCRETE NOTCH BASE DETAIL

SEE WALL SHEETING ERECTION DETAIL FOR
WALL PANEL FASTENER LOCATIONS

GB0200

Detailer Notes:

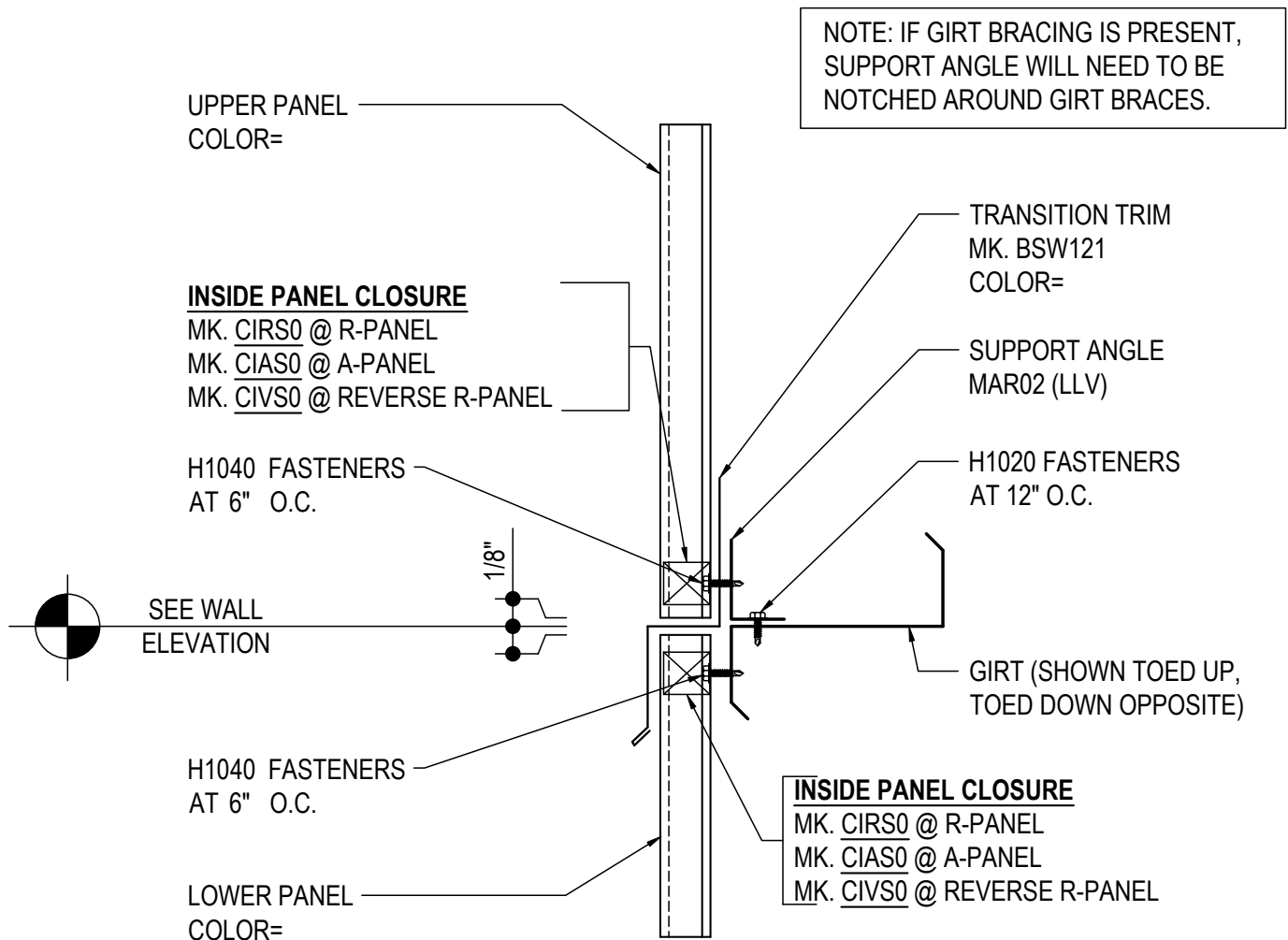
- 1) IF CLOSURES ARE ORDERED AT WALL PANEL BASE CONDITION, YOU MUST TURN ON THE CLOSURE LAYER.

GB0300 - WAINSCOT TRANSITION DETAIL - ZEE

[Download the DWG file by clicking here.](#)

ERECTOR NOTE:

AFTER LOWER PANELS ARE INSTALLED, (3) H1040 SCREWS ARE TO BE USED FOR TEMPORARY INSTALLATION OF THE TRANSITION TRIM.



WAINSCOT TRANSITION DETAIL

SEE WALL SHEETING ERECTION DETAIL FOR
WALL PANEL FASTENER LOCATIONS

GB0300

Detailer Notes:

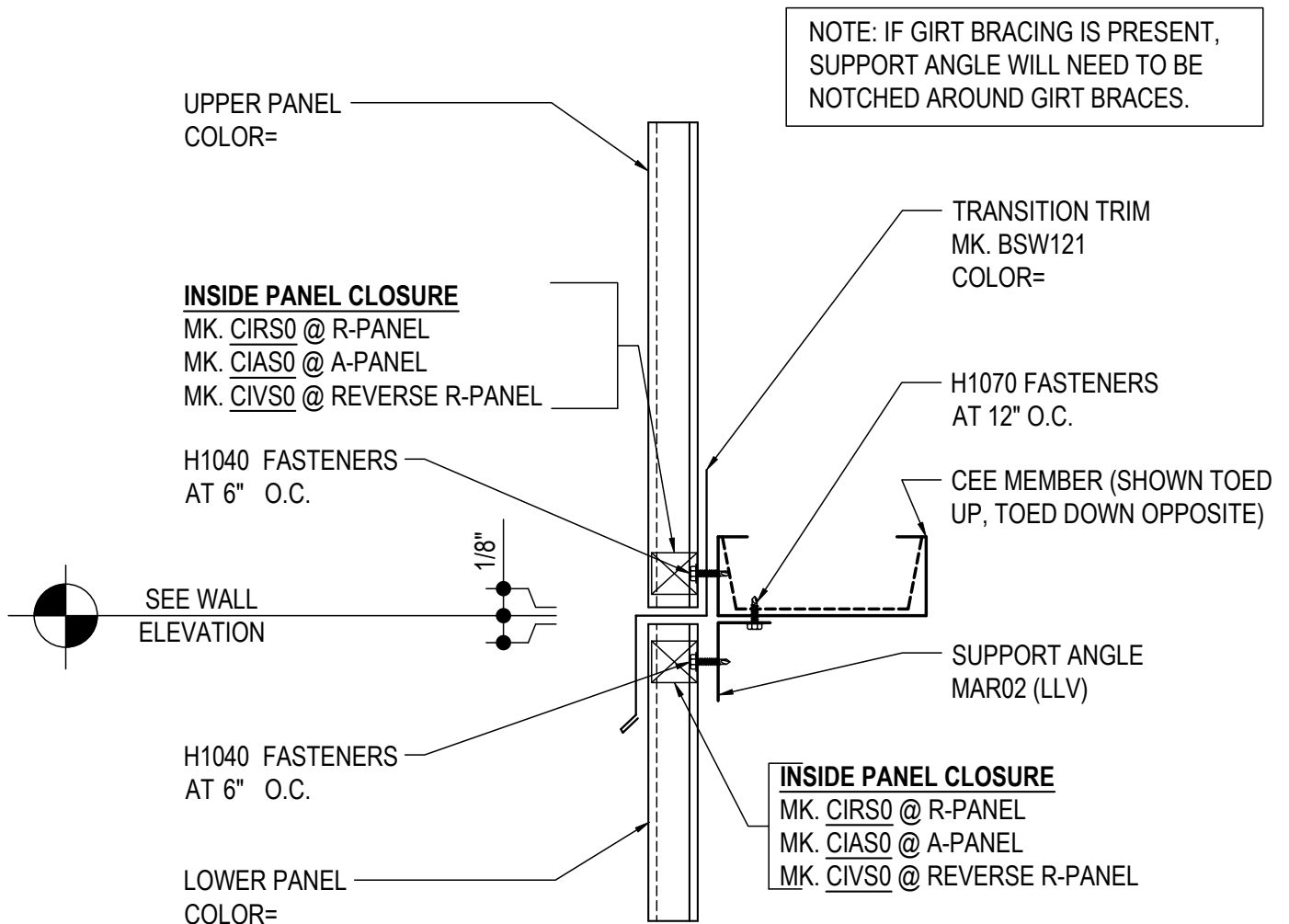
- 1) IF CLOSURES ARE ORDERED AT WALL PANEL BASE CONDITION, YOU MUST TURN ON THE CLOSURE LAYER.
- 2) TRANSITION TRIM COLOR TO EITHER MATCH LOWER PANEL COLOR OR BE UNIQUE COLOR ALTOGETHER.

GB0310 - WAINSCOT TRANSITION DETAIL - CHANNEL

[Download the DWG file by clicking here.](#)

ERECTOR NOTE:

AFTER LOWER PANELS ARE INSTALLED, (3) H1040 SCREWS ARE TO BE USED FOR TEMPORARY INSTALLATION OF THE TRANSITION TRIM.



WAINSCOT TRANSITION DETAIL

SEE WALL SHEETING ERECTION DETAIL FOR WALL PANEL FASTENER LOCATIONS

GB0310

Detailer Notes:

- 1) IF CLOSURES ARE ORDERED AT WALL PANEL BASE CONDITION, YOU MUST TURN ON THE CLOSURE LAYER.
- 2) TRANSITION TRIM COLOR TO EITHER MATCH LOWER PANEL COLOR OR BE UNIQUE COLOR ALTOGETHER.